



GRAND SLAM 300 OUTRIGGER MOUNT



Single-Handle Operation is Here! Introducing the Grand Slam 300 – a stainless-steel / polished, anodized aluminum, single-handle Outrigger Mount that delivers enhanced safety and performance with smooth, one-handed operation from the deck. Easily adjust rotation and lift of outrigger poles using the GS-300’s ergonomic crank handle, which locks flush into the base. The Mount’s attractive, all-metal design means no plastic components, a greater water seal and increased protection from the elements. The GS-300 pairs with TACO’s NEW Internally Rigged/ Collapsible Outriggers, as well as Aluminum or Carbon Fiber Tele-Outrigger Poles up to 20’ with an underside pin-locking connection – eliminating the need for port and starboard designations.

PIN-LOCKING ARM

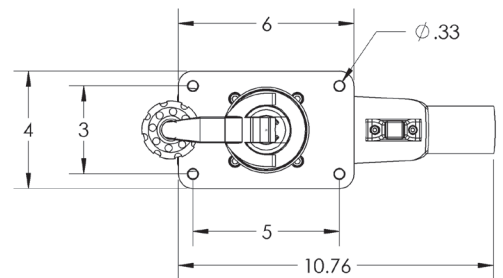
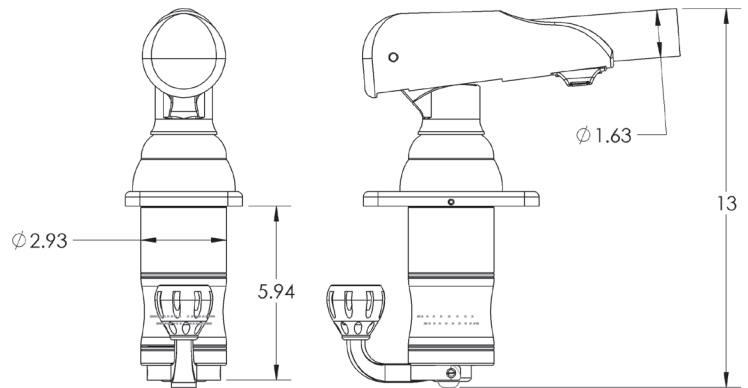
- No port or starboard designation
- Underside locking pin connection
- Arm lifts up to 49° from horizontal position for kite fishing and dock clearance
- Pairs with 1-1/2" DIA Outrigger Poles up to 20'
- Can be used with Outrigger Base Reducer for 1-1/8" DIA poles

HANDLE

- Stainless-steel, ergonomic, single-hand crank handle with ball bearing
- Enables lift and rotation of outrigger poles from safety of the deck
- Unique, locking flip handle
 - Keeps the handle knob on the bottom when lifting or rotating the outrigger
 - Provides full torque control and safety of deployment at all times
- Robust, dual-detented lifting crank handle locks flush into base

MOUNT

- Constructed from cast stainless-steel and machined aluminum for a stronger, lighter base
- Each mount weighs 15 pounds (30 pounds per pair)
- Water-tight seal to prevent water leaks
- Safety detents prevent uncontrolled rotation when deploying outrigger poles
- Allows a controlled 180° rotation, if needed
- Locking head eliminates downward creep of outrigger poles
- Equipped to handle the torque and whip generated by poles up to 20'
- Includes all mounting hardware for easy installation
- Base hole pattern matches all TACO Marine Grand Slam models, as well as the industry standard hole patterns of other top-mount outrigger systems
- Backing plate (BP-0300) sold separately



⚠ WARNING:
 This product can expose you to chemicals including Lead, which is known to the State of California to cause cancer, birth defects or other reproductive harm. For more information go to www.P65Warnings.ca.gov.

PART #	DESCRIPTION	STD. PK	UOM	UPC
GS-300	Grand Slam 300	2	Pair	631164091605

w tacomarine.com | ph 800.653.8568 | e info@tacomarine.com

